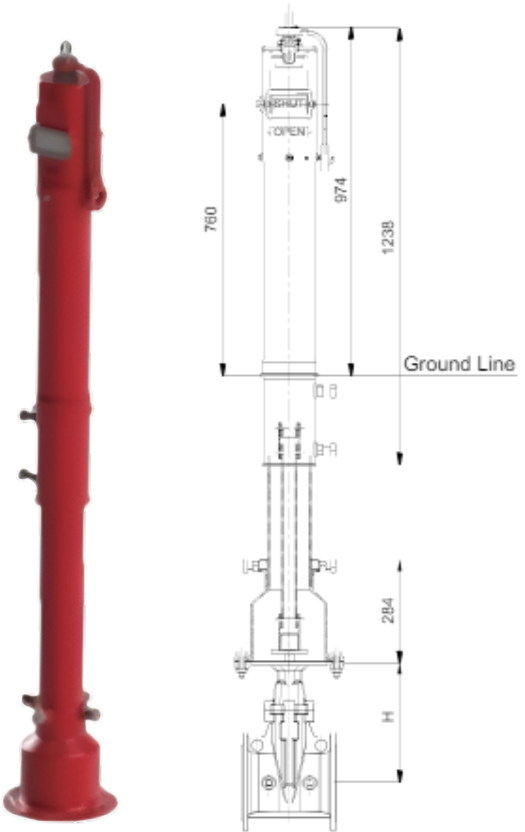


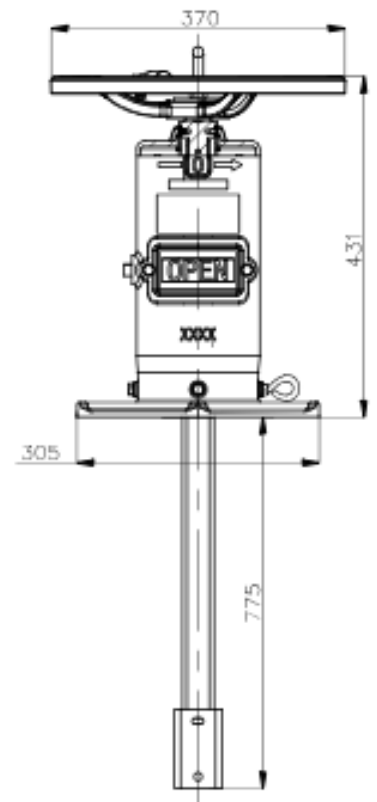
INDICATOR POSTS

FIGURE C1300

Our Post Indicators are UL Listed / FM Approved. They are used to identify the position of buried Gate Valves (Post Indicator Valves) and are recommended for use in fire protection piping systems.



UNDERGROUND TYPE



WALL TYPE

Size	Dimension								
	Inch (mm)								
Size	2"	2½"	3"	4"	5"	6"	8"	10"	12"
Min. Bury Depth	623	623	643	667	728	762	847	942	1028
Max. Bury Depth	1493	1493	1513	1537	1598	1632	1717	1812	1898
H	196	196	224	252	343	343	423	534	613